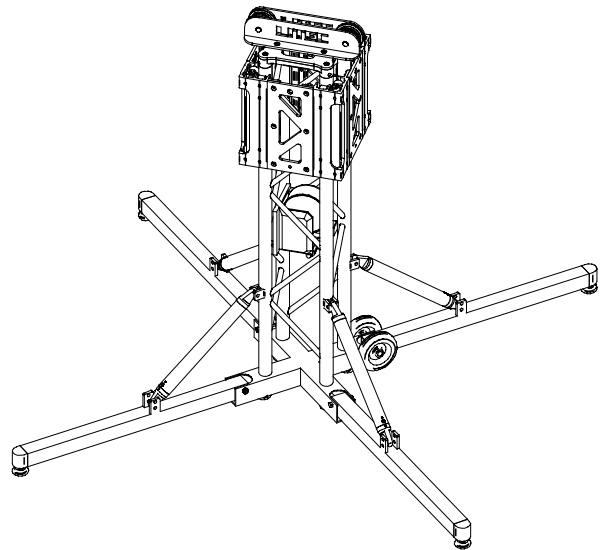
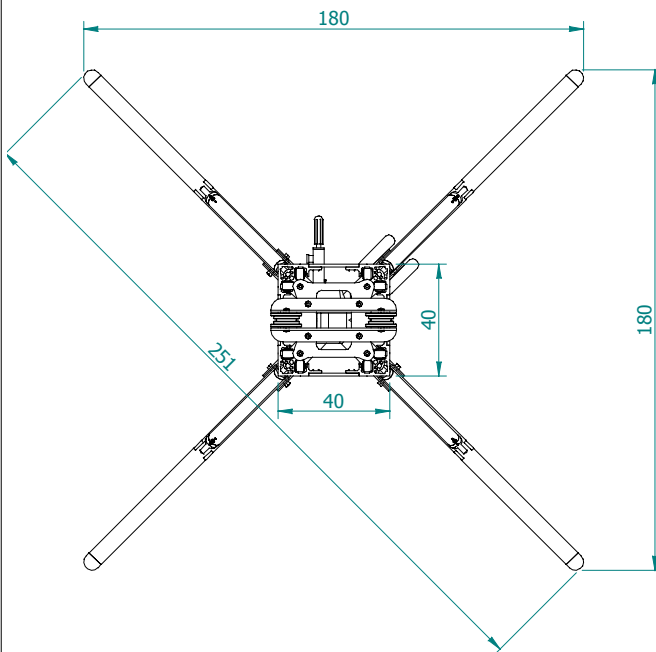
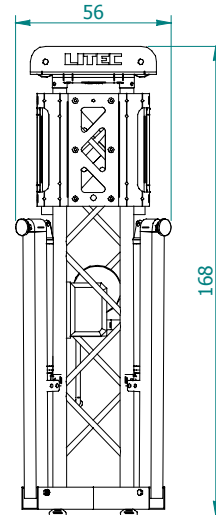
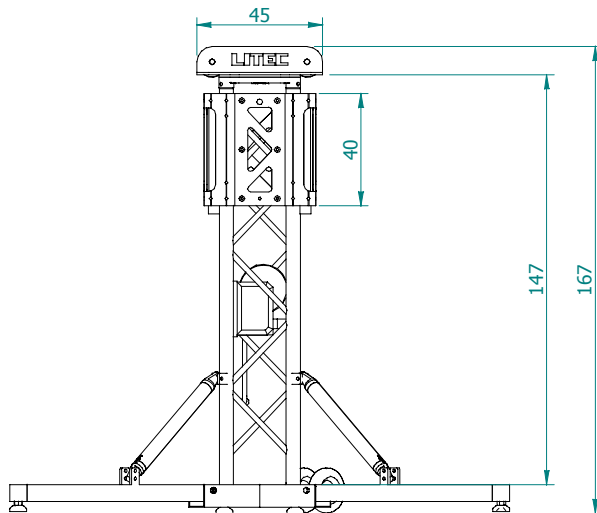


PRELIMINARY INFORMATION



Description		Specification
Tower truss	Type	QX30S
	Height max	6,5 m
	Max load	500 Kg
Compatible truss		QX30 - QD30 - QX40S - QD40S - TX30 - TD30
Weight of base module with wheels and top Kg]		75 Kg
Lifting system		manual chain hoist

Date of issue
05/04/2005

LITEC s.r.l. - Via Venier, 52 - 30020 Marcon (VE)
www.litetruss.com - info@litetruss.com

LLTCST84GB1
Version 1