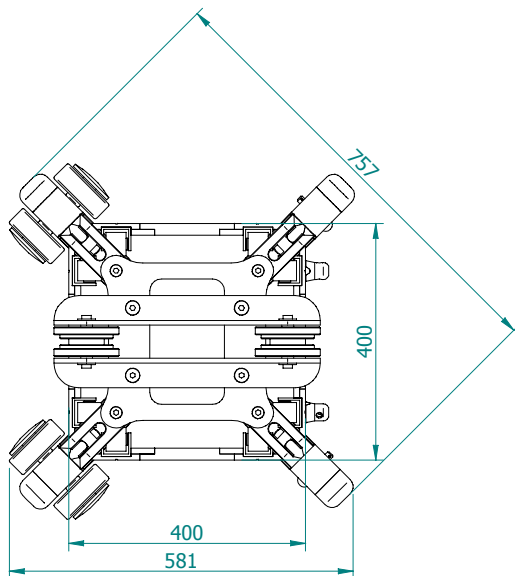
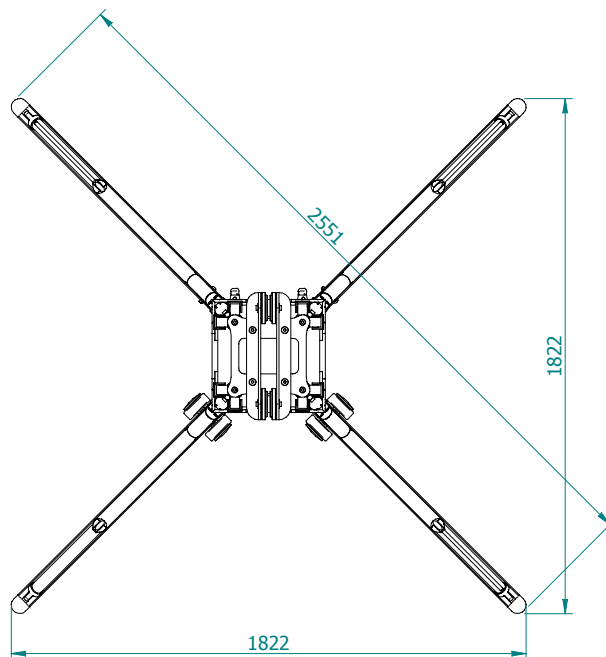
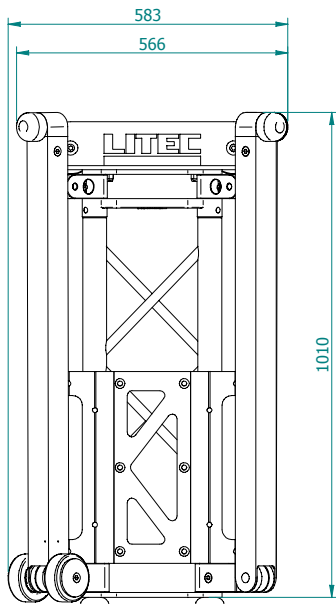


Removing the four legs and turning the couplers, UNITOWER becomes a compact element for exhibition applications.



Description		Specification	
Tower truss	Type	QX30	QD30
	Height max	7 m	8 m
	Max load	1000 Kg	2000 Kg
Compatible truss		QX30 – QD30 – QX40S – QD40S	
Weight of base module with wheels and top Kg]		75 Kg	
Lifting system		Electric or manual chain hoist	

Date of issue
06/09/2004

LITEC s.r.l. – Via Venier, 52 – 30020 Marcon (VE)
www.litetruss.com - info@litetruss.com

LLTCST80GB1
Version 1